

4

3

2

1

DWG. NO. 600-A-FFE-XX SHEET 1 REV B

SPECIFICATIONS:

POWER RATING: 600 WATTS AVG. AT 25°C. (UNI-DIRECTIONAL)  
 DERATED LINEARLY TO 50 WATTS AT 125°C

IMPEDANCE: 50 OHMS NOMINAL

FREQUENCY RANGE: DC TO 2.4GHz

VSWR: DC TO 1GHz AT 1.10:1 MAX.  
 1GHz TO 2.4 GHz AT 1.25:1 MAX.

AMBIENT TEMPERATURE: -40°C TO +40°C

COOLING FIN: ALUMINUM, BLACK ANODIZED

HEAT SPREADER: ALUMINUM, BLACK ANODIZED

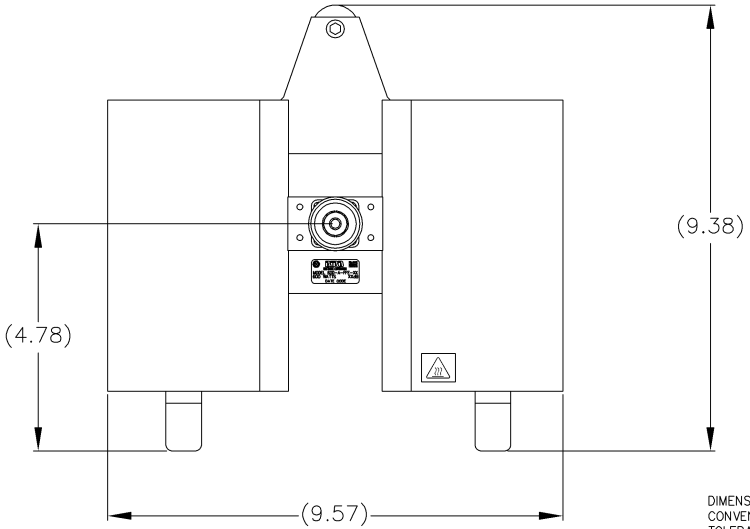
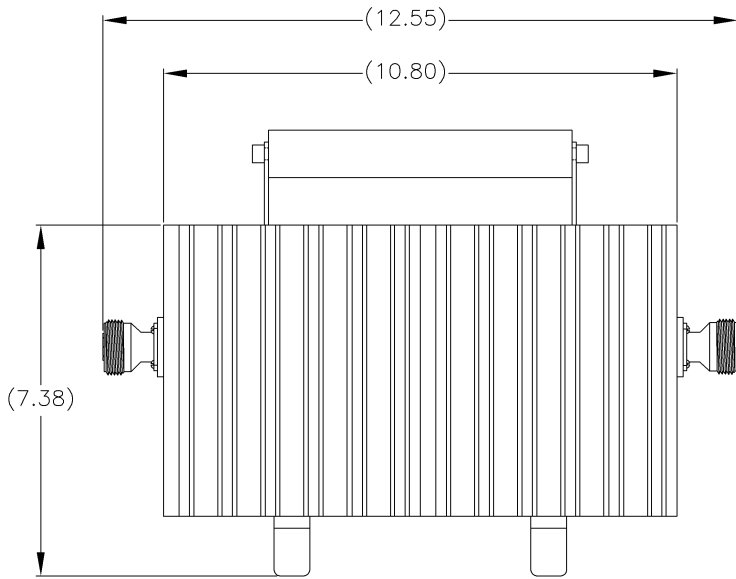
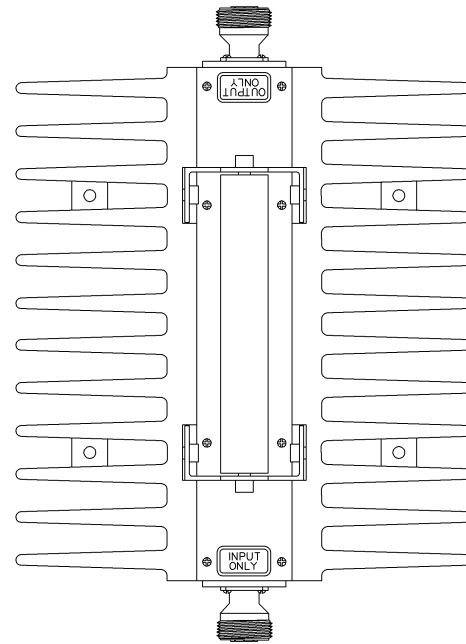
CONNECTORS: 7/16 DIN FEMALE

OPERATING POSITION: AS SHOWN (VERTICALLY)

NOMINAL SIZE: APPROX. 13.35" L X 9.38" H X 9.57" W

WEIGHT: APPROX. 21.5 LBS

REVISIONS			
REV	DESCRIPTION	DATE	APPROVED
A	CONVERT TO BEC FORMAT	dmr 4-26-08	DMD
B	UPDATE dB TABLE/LABELING/ECO 13553	dmr 6-3-08	DMD



XX = DASH NUMBER (dB VALUE)

DASH NO.	dB ATTEN.	ATTENUATION ACCURACY	
		DC - 1GHz	1 - 2.4GHz
-03	3	± 0.5	-0.5dB/+1.0dB
-06	6	± 0.6	-0.5dB/+1.2dB
-10	10	± 0.6	-0.5dB/+1.5dB
-20	20	± 0.6	-0.5dB/+1.5dB
-30	30	± 1.0	-0.5dB/+1.5dB

NOTE:  
 FOR VALUES NOT LISTED, REFER TO THE NEXT HIGHER ATTENUATION LEVEL FOR SPECIFICATIONS. FOR ATTENUATION VALUES GREATER THAN THE HIGHEST LISTED ATTENUATION VALUE, REFER TO THE VALUE 1/2 THE DESIRED ATTENUATION LEVEL, THEN DOUBLE THE LISTED SPECIFICATION VALUES, UNLESS OTHERWISE SPECIFIED.

DIMENSIONS HEREON ARE FOR CUSTOMER CONVENIENCE AND REFERENCE ONLY. TOLERANCE TO BE APPLIED ONLY WHERE INDIVIDUALLY STATED ON THE RESPECTIVE DIMENSION. -DO NOT SCALE DRAWING-

UNLESS OTHERWISE SPECIFIED DIMENSIONS ARE IN INCHES

TOLERANCES ARE:  
 FRACTIONS ±1/64  
 DECIMALS .XX= ±0.010  
 .XXX= ±0.005

ANGLES ±30°  
 MILLIMETERS .X= ±.4  
 .XX= ±.12

DO NOT SCALE DRAWING

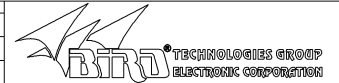
THIS DRAWING IS THE PROPERTY OF THE BIRD TECHNOLOGIES GROUP OR BIRD ELECTRONIC CORPORATION. THE DESIGNS AND SPECIFICATIONS DISCLOSED HEREIN ARE PROPRIETARY AND SHALL NOT BE REPRODUCED, NOR COPIED, NOR USED AS THE BASIS FOR THE MANUFACTURE OR SALE OF APPARATUS OR DEVICES WITHOUT THEIR EXPRESS WRITTEN CONSENT.

APPROVALS	DATE
DRN DMD	4-24-08
CHK D.M.RINK	4-29-08
APP DMD	4-29-08

MATERIAL	CODE	TITLE
		ATTENUATOR, CONVECTION COOLED, BENCHTOP, DIN 7/16 FEMALE, 600W

FSCM NO.	SCALE	DWG. NO.	REV
70998	1:1	600-A-FFE-XX	B

PROJ./LIB	AUTOCAD	COMM CODE	AT1	SHEET	1 OF 1
-----------	---------	-----------	-----	-------	--------



4

3

2

1